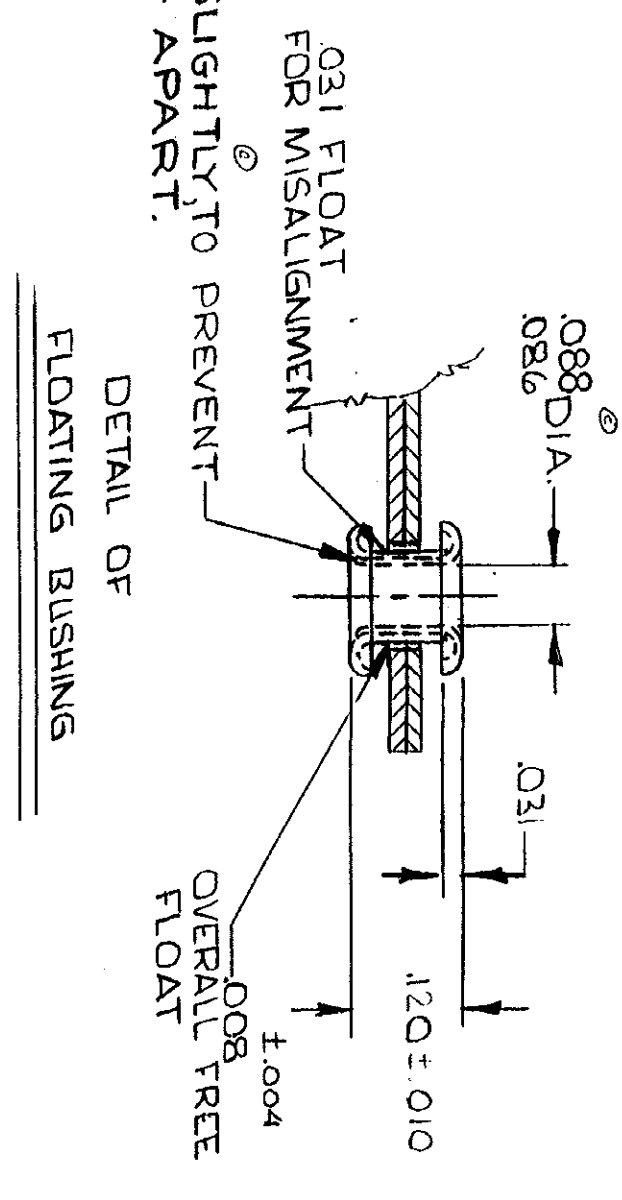
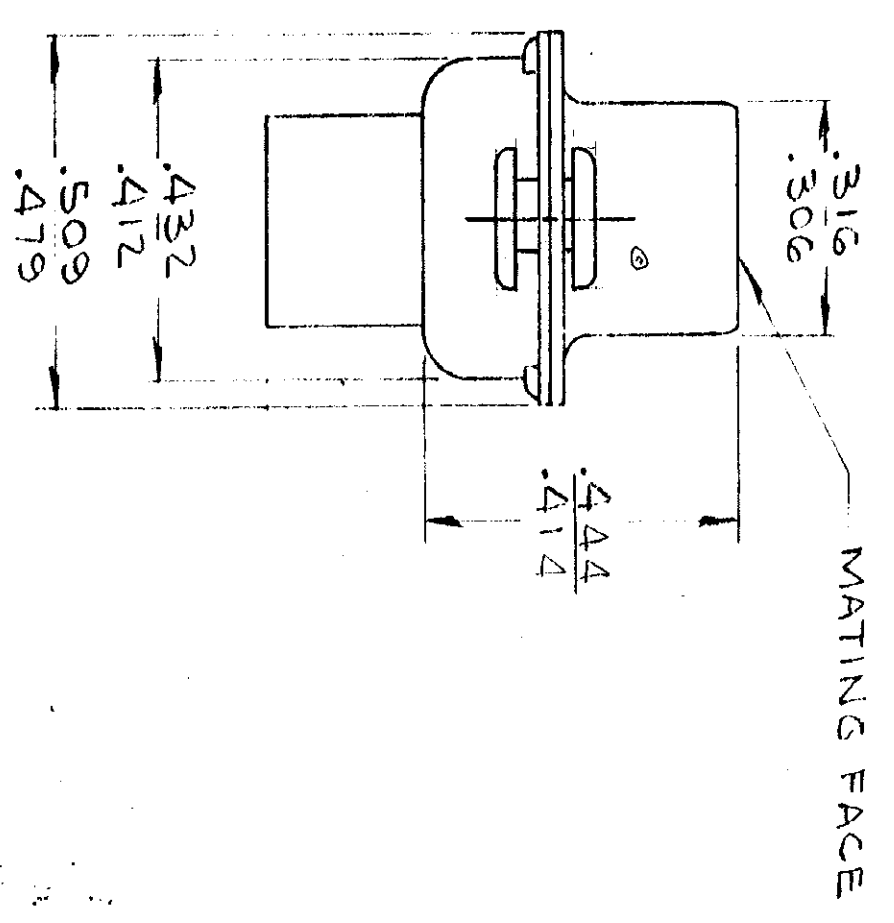
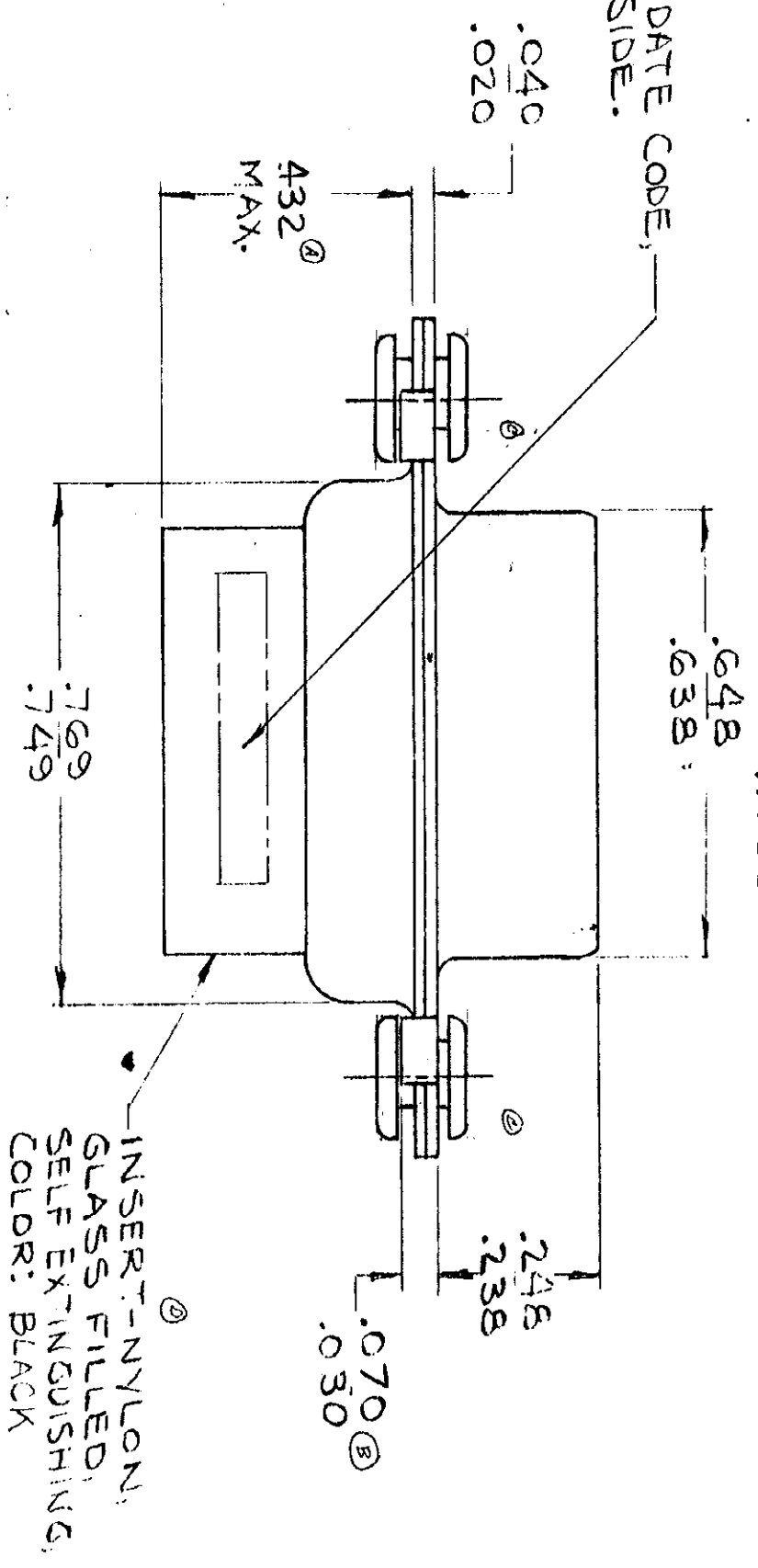
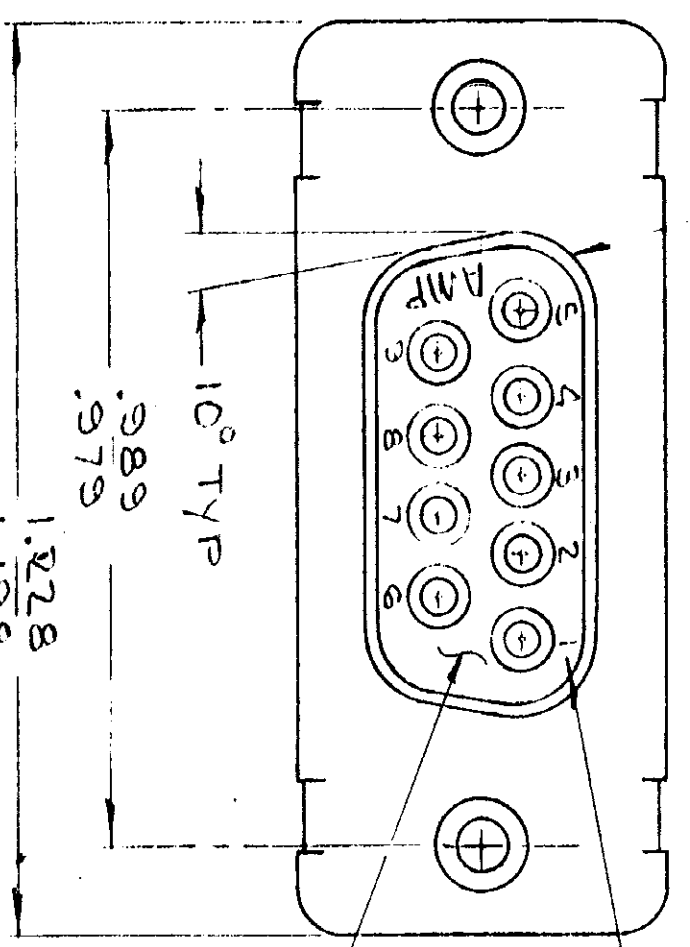


205439-1

OBsolete - 205439-2

1. AS SHOWN
2. MAT'L SHELLS STEEL PER QQ-S-698 ZINC PLATED PER QQ-Z-325 TYPE II, CLASS 3 YELLOW CHROMATE
1. SAME AS -1 EXCEPT:
2. MAT'L SHELLS, BRASS (NON/MAGNETIC) PER MIL-C-50, ZINC PLATED PER QQ-Z-325 TYPE II, CLASS 3 YELLOW CHROMATE.

ZONE	LTR	DESCRIPTION	DATE	APPROVED
O		RELEASED, WAS 5066-251	5/19/71	JS
A		432 MAX. WAS .377 MAX. ECN B-251	6/28/71	JS
B		REV. PER ECN B-774	8/15/71	JS
C		REV. PER ECN C-321	5/17/73	JS
D		REV. PER ECN C-452	7/19/73	JS
E		REV. PER ECN D-644	4-25-75	BUR
E1		REV. PER ECN - 584	4-10-80	JS
E2		REV PER ECN - 0755	10-1-84	JS
E3		OBsolete - 2 PER ECN 1930	3/7/86	SW



1. THIS RECEPTACLE ACCEPTS SIZE 20 SOCKET CONTACTS.
2. MAXIMUM WIRE INSULATION RECOMMENDED FOR USE WITH THIS RECEPTACLE IS .068 DIA. MAX.
3. RETENTION TIMES ARE AN INTEGRAL PART OF INSERT.
4. INSERTION/REMOVAL TOOL AMP 91067-2 IS RECOMMENDED FOR USE WITH THESE PARTS.
5. THIS CONNECTOR CONFORMS TO AMP SPEC 108-10020.

UNLESS OTHERWISE SPECIFIED, DIMENSIONS ARE IN INCHES TOLERANCES ON: DECIMALS ± .005 ANGLES ± .5° MATERIAL SEE CALLOUT

CONTRACT NO.		DATE	
5/18/71		5/19/71	
DR		APPROVED	
D. Baer		5-24-71	
REL		DATE	
3/24/71		3/7/86	
DESIGN APPD		SCALE	
OTHER APPD		C	
NAME		NUMBER	
AMP INCORPORATED		205439	
HARRISBURG, PENNSYLVANIA		SIZE	
CONNECTOR, RECEPTACLE, HDP/20, SIZE 1, 9 POS. (WITH FLOATING BUSHINGS)		00779	
AMP		SHEET 1 OF 1	